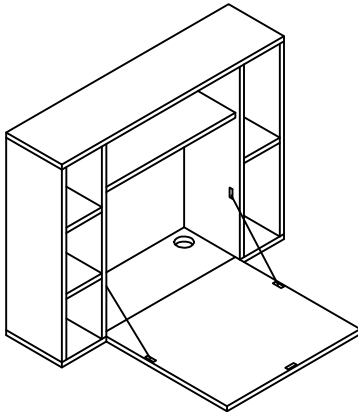


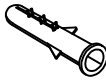
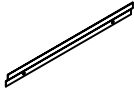

ASSEMBLY INSTRUCTIONS

Wall-Mounted Folding Desk

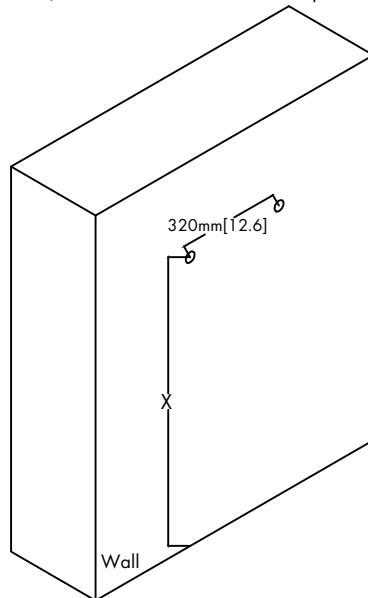
Ver. 07.21

SKU: FDWMDWCNAT



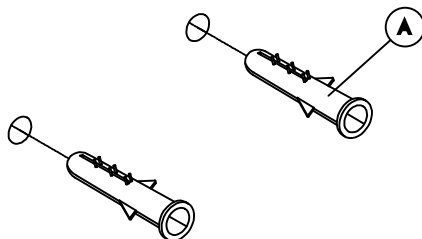
HARDWARE							
A	Plastic Wall Anchor	2 pcs		C	Z-bar	2 pcs	
B	Screw	2 pcs					

- Determine the desired height of the wall-mounted desk. Place the Z-bar (C) on the wall and mark the center of each hole. Drill 2 pilot holes (\varnothing 6mm) at marked location with power drill

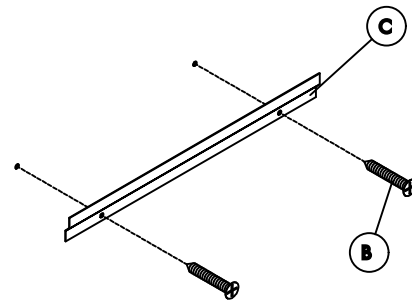


NOTE: Use a bubble level to help to keep the Z-bar level.

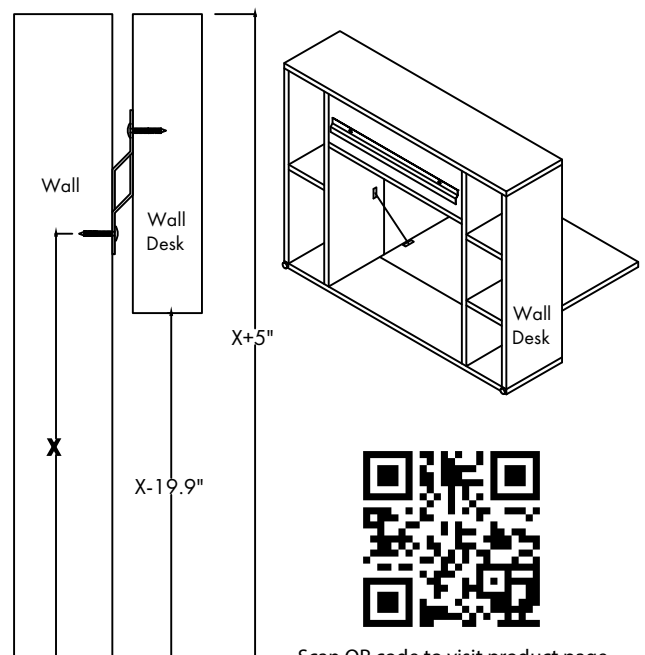
- Insert 1 Plastic Wall Anchor (A) into each pilot hole on the wall. Use a rubber mallet to tap them flush with the wall.



- Place the Z-bar (C) against the wall as shown and fix it with the 2 enclosed Screws (B).



- Carefully lift up the foldable desk above the mounted Z-bar. Push the unit against the wall and slowly lower the unit onto the Z-bar. Check the desk and make sure it's mounted securely



Scan QR code to visit product page